

SP-2003

Emergency NOAA Weather Band Radio & LED Flashlight

***NOAA WEATHER BAND/ AM/FM / FLASHLIGHT / SOLAR
HAND CRANK / USB / CELL PHONE CHARGER / CARABINER***



Secur™

CONTENTS

Safety Instructions	1
Weather Bands	2
Specification	3
Operation	4
Operation	5
Operation, Cleaning and Maintenance	6
Warranty	7

⚠ WARNING ⚠

PLEASE READ THESE INSTRUCTIONS CAREFULLY AND KEEP FOR FUTURE REFERENCE INTENDED USE.

Only operate the VonHaus® Solar Dynamo Radio for its intended purpose and within the parameters specified in this manual.

This device is not intended for use by persons with reduced physical, sensory or mental capabilities, or lack of experience and knowledge, unless supervised or given appropriate instruction concerning the product's use by a person responsible for their safety.

This device is not a toy and is not intended for use by children. Children should be supervised to ensure they do not play with the device.

GENERAL PRECAUTIONS.

When using an electrical device, basic precautions should always be followed, including the following:

If the device is not functioning properly, has been dropped, damaged, left outdoors in adverse weather, or immersed in liquid, do not use. Risk of personal injury is present if using a damaged device.

Do not use the device if any parts appear to be faulty, missing or damaged.

This device contains no user serviceable parts. User maintenance or modification will void any warranty and may put the user at risk of harm.

CABLES AND PLUG CONNECTION.

Do not handle the USB cable or device with wet hands. Check to ensure your electricity supply matches that shown on the rating plate. The product should only be used with a supply as rated.

Do not use with a damaged charging cable or USB connection. If the supply cable is damaged, it must be replaced by a suitable replacement in order to avoid a hazard.

Do not pull the cable around sharp edges or corners.

Do not leave unattended whilst the device is charging, or the device is charging other electronic items. Turn the device off and unplug any cables when not in use.

Do not disconnect the device or any connected electronic items by pulling on the cable. To unplug, grasp the USB connection only. Ensure the cable is stored safely to prevent hazards.

APPROPRIATE USE.

Do not insert any objects into openings or cover the device.

Keep hair, loose clothing, fingers and all body parts away from any openings and moving parts such as the crank mechanism.

Pay close attention to how you are holding the device whilst cranking the Crank Handle to charge. Ensure you hold the device securely in a way that does not trap your fingers or skin in the mechanism.

Rotate the Crank Handle steadily. Do not use excessive force as this could damage the device.

The device may become hot after long periods of charging.

Take extra care when handling the device.

Do not place the device near any heated surfaces such as camping stoves or fires.

Do not store in heated or humid areas such as saunas or steam rooms. If using in bathrooms, ensure sufficient ventilation.

Only operate within specified temperature range (refer to the 'Specifications' page).

When charging outdoors, do not allow the device to get wet.

Do not expose this device to rain or moisture. Do not immerse in water or any other liquid for any reason.

Take care to protect the device from high humidity and rain.

When charging outdoors, do not allow the device to get wet.

Collapse the antennae if you are exposed during a lightning storm.

Turn off the device immediately if liquid has been spilled or any object has fallen into the apparatus.

Do not stare directly into the Flashlight or shine it towards your face, bystanders, animals or the operator of any vehicle.

Clean only with a dry cloth. Do not use harsh abrasive detergents or chemical solvents as this might damage the finish.

BATTERY SAFETY.

If the volume appears to be low, this indicates that the battery requires charging. Always turn the device off before cranking to charge.

Do not crank for more than 5 minutes at a time when there is sufficient power in the battery to hear the device at normal volume level, or for more than 20 minutes when it has run out of power completely.

It is recommended that you crank the Crank Handle to charge for at least 1 minute every month to prolong the battery's lifespan.

This device contains a 3.7V ICR18650 2200mAh rechargeable Lithium-ion battery, which is not intended to be removed.

Rechargeable batteries should only be recharged under adult supervision.

At the end of the device's useable life, the battery should be removed safely and carefully and recycled/ disposed of in accordance with local authority or government guidelines.

Do not dispose of batteries in your household waste.

Do not dispose of batteries in a fire.

Do not crush, puncture, dismantle or otherwise damage the battery.

Do not attempt to short circuit the battery or the supply terminals for any reason.

WEATHER BANDS

PRESET WEATHER CHANNELS	CHANNEL 1 162.400MHz	CHANNEL 2 162.425MHz	CHANNEL 3 162.450MHz
CHANNEL 4 162.475MHz	CHANNEL 5 162.500MHz	CHANNEL 6 162.525MHz	CHANNEL 7 162.550MHz

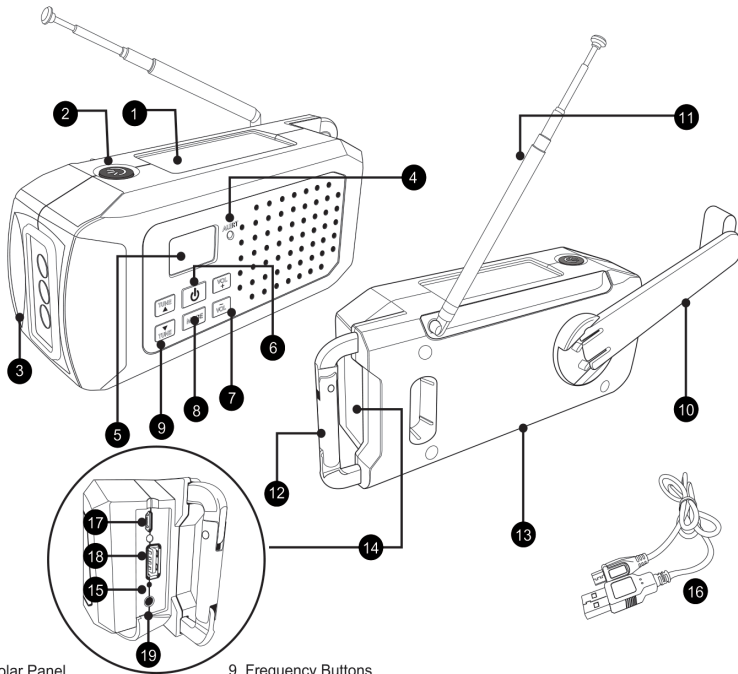
WEATHER BAND 7 Channels (MHz) 162.400-162.550	AM FREQUENCY KHz 535-1700	FM FREQUENCY MHz 87.5-108.0
RECHARGABLE BATTERY 3.7V Li-Ion ICR18650 2200mAh	SOLAR INPUT 5V 45mA USB OUTPUT 5V 1A	OPERATING TEMPERATURES 32°F-130°F ~ 0°C-54°C STORAGE TEMPERATURES 14°F-130°F ~ -10°C-54°C



WARNING! To prevent possible hearing damage, do not listen at high volume levels for long periods.

SPECIFICATION

WEATHER BAND	AM	FM	RECHARGEABLE BATTERY	SOLAR CHARGING
7 Channels - 6dB 162.4000- 162.5500MHz	82dB 540-1700KHz	10dB 88-108MHz	CR18650 2200MAH	5V 45MA
OPERATING TEMPERATURE		STORAGE TEMPERATURE		
32°F-130°F		14°F-130°F		



1. Solar Panel.
2. Flashlight Button.
3. Flashlight.
4. LED Indicator.
5. LCD Display.
6. ON/OFF Button.
7. Volume Buttons.
8. Mode Button.
9. Frequency Buttons.
10. Crank Handle.
11. Telescopic Antenna.
12. Carry Hook.
13. Lithium-ion Battery Cover (not pictured).
14. USB Cover.
15. Reset Button.
16. USB Cable (with Micro USB).
17. Micro USB input.
18. USB Output.
19. 35mm Headphone Jack.

OPERATION

IMPORTANT: Before use, ensure you have removed the tab from the battery compartment.

ON/OFF

Press and release the ON/OFF Button (6) to power on the Solar Dynamo Radio.

Press the ON/OFF Button again to power off.

RADIO

Press and release the ON/OFF Button (6) to power on the Radio.

BAND

Press and release the Mode Button (8) to select FM, AM WB radio or WB alert.

SETTING THE TIME

With the Radio powered off, hold the Mode Button (8) for 5 seconds to enter the programme menu.

12/24 Hour

12hr or 24hr will flash. Press the Frequency Buttons(9) to scroll through hour mode.

Press and release the Mode Button (9) once to continue setting the hour.

Hour

The hour will flash. Use the Frequency Buttons (8) to increase or decrease the hour.

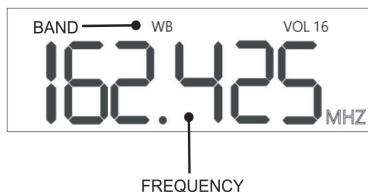
Once the correct hour is set, press and release the Mode Button (9) once to continue setting the minutes.

Minutes

The minutes will flash. Use the Frequency Buttons (8) to increase or decrease the minutes.

Once set, press and release the Mode Button (9) once more to confirm all settings.

NOTE: The clock will remain on when the Radio is powered off.



ALERTS

When WB is selected, the Radio will receive alarm signals automatically.

NOTE: The volume level is reduced when listening to the WB function, turn the volume up if required.

TUNE

With the radio band selected, press the Frequency Buttons (9) to cycle through stations. Keep hold of either of the Frequency Buttons for a few seconds to use auto scan.

NOTE: Auto scan is disabled in WB mode.

VOLUME

To change the volume, simply press the + or - Volume Buttons (7).

WEATHER BANDS

The Solar Dynamo Radio can receive 7 weather bands on the WB frequency. See 'Weather Bands'.

ANTENNA

Fully extend and rotate the Telescopic Antenna (11) and place near a window to receive a strong steady signal and avoid a broken or noisy reception.

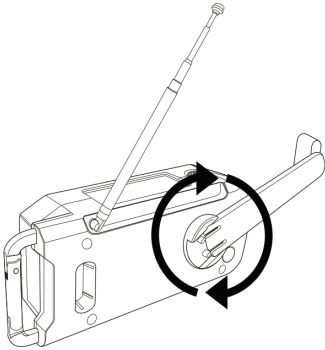
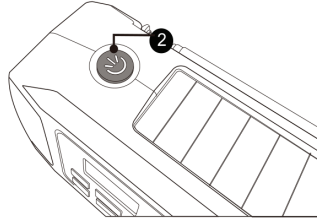
OPERATION

CAUTION: In order to avoid damage to the Radio, do not subject the device to extreme temperatures, vibration or shock.

FLASHLIGHT

Press and release the Flashlight Button (2) to power on the Flashlight(3).

Press and release the Flashlight Button again to power off.



CRANK CHARGING

IMPORTANT: Always turn off the Radio before charging.

When the battery is low, a low battery symbol will appear on the LCD Display (5).

The Radio can be charged using the Crank Handle (10). Crank charge by turning either way.

NOTE: 2 minutes of cranking will provide approximately 30 minutes of use.

USB CHARGING

IMPORTANT: Always turn off the Radio before charging.

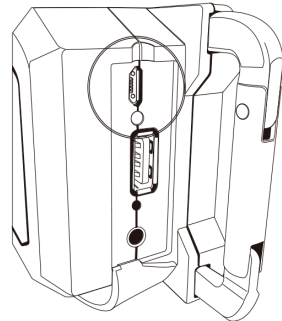
When the battery is low, a low battery symbol will appear on the LCD Display (5).

Insert the Micro USB Connection on the USB Cable (17) into the Micro USB Input (18) located under the Cover (12) and plug into a suitable power source.

The LED Indicator (4) will flash to indicate that the Radio is charging.

When the LED Indicator stops flashing and remains constant, the Radio is fully charged.

IMPORTANT: The Radio is equipped with both a mini and standard size USB. Ensure that the voltage is at 5.0V maximum when charging by USB.



⚠ WARNING! Do not leave on charge continuously. The Radio should not be left connected to power when not in need of charging as this can present a hazard and reduce the lifespan of the device.

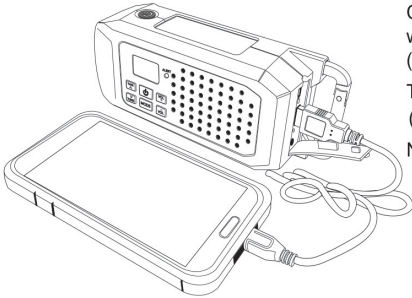
OPERATION

CHARGING MOBILES

Connect the mobile to the USB cable supplied with the phone using the appropriate adaptor kit (not supplied).

Turn on the Radio and hold the ON/OFF Button (6) to enable phone mode.

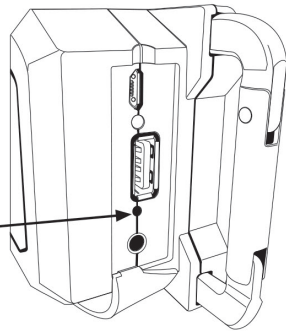
NOTE: Not suitable for charging tablets.



RESET

If the LCD Display is blank, charge the battery using one of the methods outlined above, then press the Reset Button (16) using a small pin.


RESET BUTTON



CLEANING AND MAINTENANCE

Clean the Radio using a soft damp cloth.


CAUTION: Do not use solvents or scouring agents as this will cause damage to the finish.

 **WARNING!** Do not submerge the Radio in water.

PLEASE NOTE: Opening up the casing of the device will invalidate the warranty. Do not attempt repairs on the Radio yourself.

to carry out Open and close the Telescopic Antenna fully.

CAUTION: Never force the Antenna.

 **WARNING!** Do not leave the Radio in a vehicle in extreme temperatures such as on a dashboard or in direct sunlight.

DISPOSAL INFORMATION

For electrical products sold within the European Community, at the end of the electrical product's useful life, it should not be disposed of with household waste. Please recycle where facilities exist. Contact your local authority for details of collection schemes in your area.

In all circumstances:

- Do not dispose of in domestic waste.
- Do not incinerate.
- Do not abandon in the environment.
- Do not dispose of WEEE (waste electricals) as unsorted municipal waste.



HEALTH AND SAFETY FOR BATTERIES

Do not put in fire or mutilate - Cells may burst and release toxic material.

Do not short-circuit cells as this may cause fire or burns.

The battery must be removed from the device before being scrapped.

The battery is to be disposed of safely.

DISPOSAL

Do not mutilate batteries as corrosive electrolytes and flammable materials will be released.

Do not incinerate – Danger of explosion and release of toxic fumes.

Do not dispose of batteries or cells in a charged condition.

Expired Lithium-ion batteries must be recycled/disposed of in accordance with the appropriate regulation or legislation. They should be returned to your local warranty agent/stockist or local recycling centre.

LIMITED 1 YEAR WARRANTY

Maverick Industries Inc. warrants this product to be free of defects in parts, materials and workmanship for a period of 1 year, from date of purchase. Should any repairs or servicing under this warranty be required, contact Maverick Customer Service by mail or phone for instructions on how to pack and ship the product to Maverick's National Service Center located as follows:

**Maverick Customer Service: 94 Mayfield Ave., Edison NJ 08837
Telephone: (732) 417-9666 • Hours: Weekdays 8:30 AM- 4:30 PM**

Do not send any parts or product to Maverick without calling and obtaining a Return Authorization Number and instructions.

This warranty is VOID if instructions for use are not followed; for accidental damage; for commercial use; for damage incurred while in transit; or if the product has been tampered with.

This warranty gives you specific legal rights and you may also have other rights which vary from state to state.



www.maverickhousewares.com
www.securproducts.com